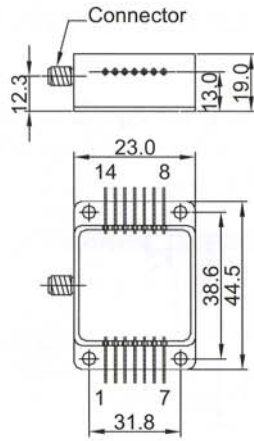
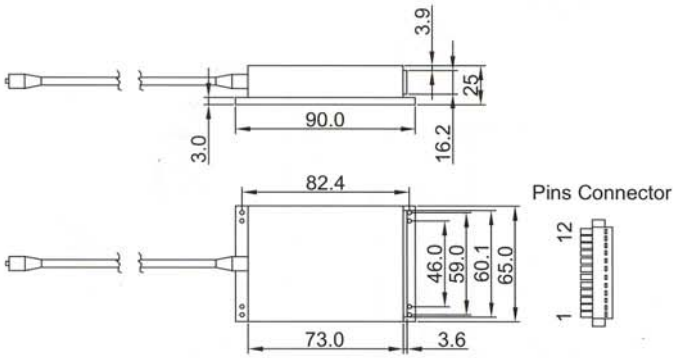


Receptacle package

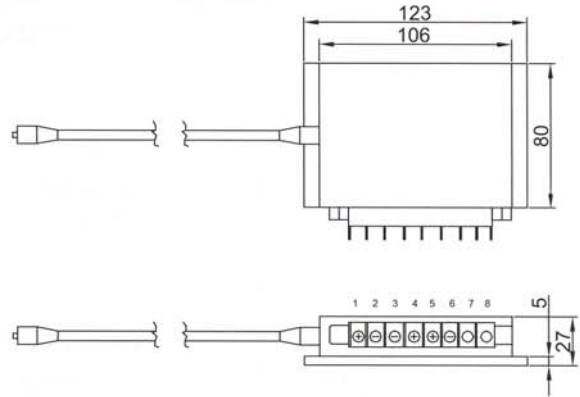


- 1. Case
- 2. Laser Anode(+)
- 3. Thermistor(1)
- 4. Thermistor(2)
- 5. Laser Cathode(-)
- 6. PD(P)
- 7. PD(N)
- 8. TEC(-)
- 9. None
- 10. None
- 11. None
- 12. 650nm LD Anode(+)
- 13. 650nm LD Cathode(-)
- 14. TEC(+)

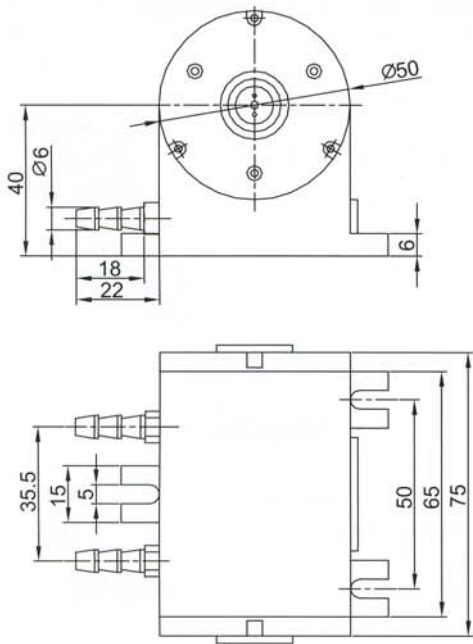
Fiber-bundled package 1



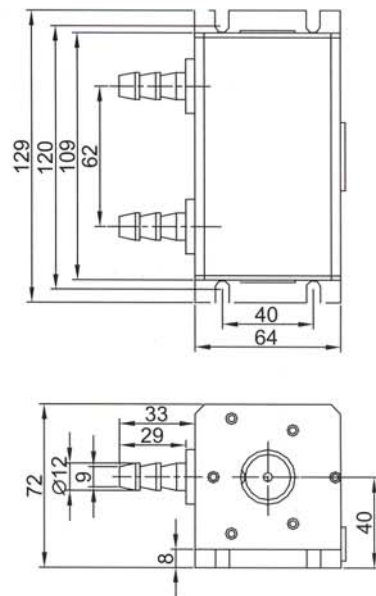
Fiber-bundled package 2



DPM-1 package



DPM-2 package



All dimensions are in mm unless otherwise specified.