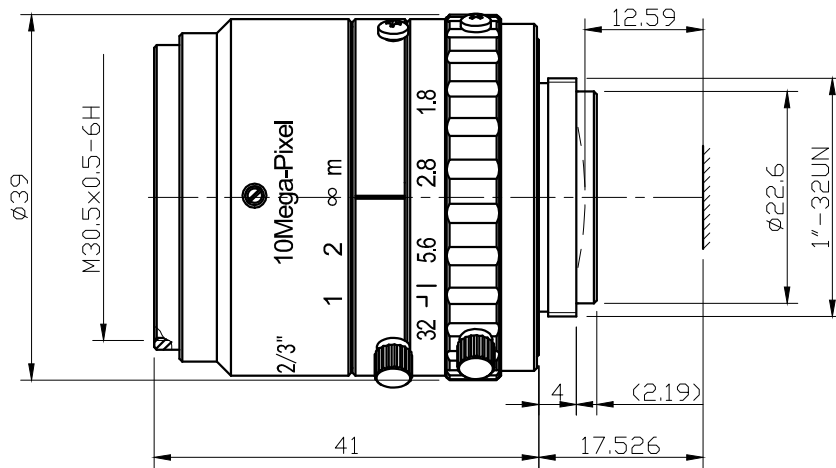


产品技术规格书 (Product Technical Specification)

| No. | 名称 (Name) | 规格 (Specification) | No. | 名称 (Name) | 规格 (Specification) | |
|-----|-----------------------------------|--------------------|-----------|---------------------------------|------------------------------|------------------|
| 1 | 型号 (Model) | AZURE-2518M10M | 14 | 视场角 F.O.V(DxVxH) | 2/3" 1/2 1/3 | |
| 2 | 物料代码 (Material Code) | 3. A01. 010251810 | | | D | 24.5 18.18 13.69 |
| 3 | 靶面格式 (Image Format) | 2/3" | | | H | 19.7 14.59 10.97 |
| 4 | 分辨率 (Resolution) | 10MP | | | V | 14.84 10.97 8.24 |
| 5 | 焦距 (Focal Length) | 25mm | 15 | 接口 (Mount) | C | |
| 6 | 后截距 (Back Focus) | 12.59mm | 16 | 适用物距 (Suitable Distance) | 0.2m~∞ | |
| 7 | F值 (F/ No.) | 1.8 | 17 | 最佳物距 (Optimum Working Distance) | 0.8m | |
| 8 | 光圈 (Iris Type) | Manual | 18 | 镀膜 (Coating) | 400-950nm | |
| 9 | 畸变 (Distortion) | <-0.13% | 19 | 外形尺寸 (Dimension) | φ 39×41mm | |
| 10 | 通光口径 (Lens Effective Diameter) | 前面 (Front) | φ 20.62mm | 20 | 重量 (Weight) | 140g |
| | | 后面 (Back) | φ 14.95mm | 21 | 工作温度 (Operating Temperature) | -20~+65℃ |
| 11 | 相对照度 (Relative Illuminate) | 50% | 22 | 镜头组成 (Lens Construction) | 8-6 | |
| 12 | 光学总长 (TTL) | 53.29mm | 23 | 最大主光线入射角 (CRA) | 1.38° | |
| 13 | 设计波长 (Design Wavelength) | 400-700nm | 24 | 滤镜尺寸 (Filter Thread) | M30.5×0.5 | |

Size:



| | | | | |
|------|-------|---------|----------|---------------------------------------|
| Draw | Check | Recheck | Approval | 福建浩蓝光电有限公司 AZURE Photonics Co.,Ltd |
| | | | | |
| | | | | |