

XZMUV-1 series is designed for 2/3" image format industrial cameras.

Focal length: 25mm, 35mm, 50mm, 75mm

Iris scale: F/2.8 – F/22

Image Format: 2/3" type

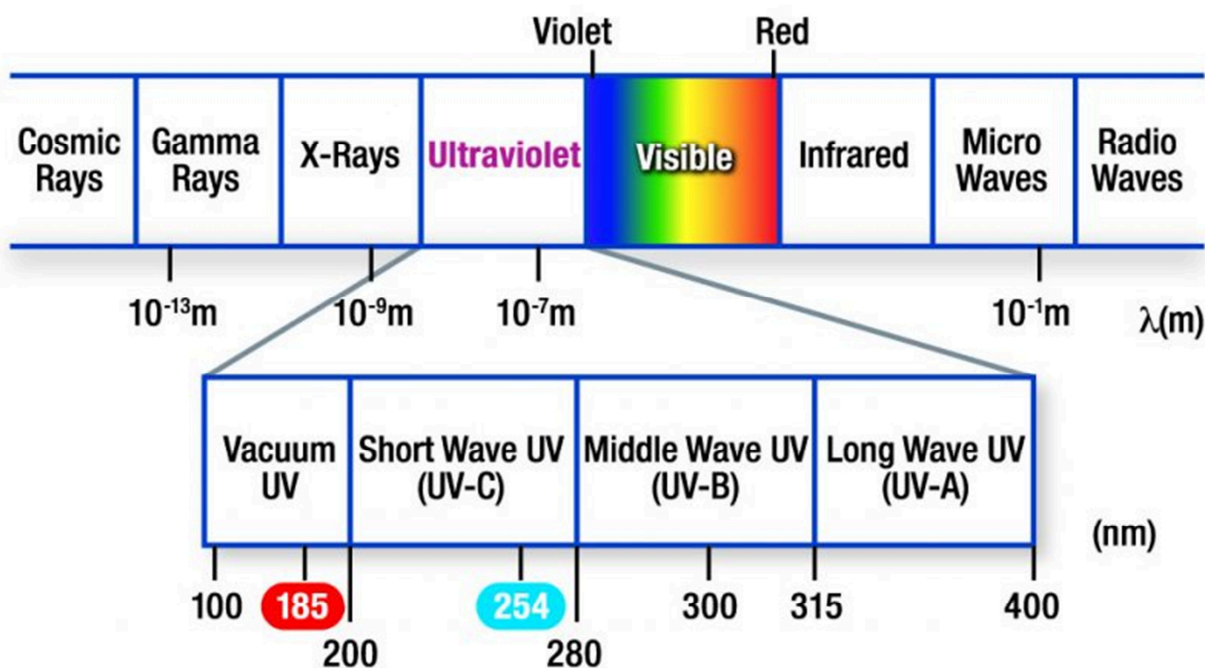
High Relative illumination

Pixel size: minimum 2.7 microns

Spectral range: 200nm -1000nm



| Model Name | Compatible format sizes | | | | | | | | | Focal Length (mm) |
|--------------------|-------------------------|------|----|--------|------|--------|------|--------|------|-------------------|
| | 4/3" | 1.1" | 1" | 1/1.2" | 2/3" | 1/1.8" | 1/2" | 1/2.5" | 1/3" | |
| AZURE-00202XZMUV-1 | — | — | — | — | • | • | • | • | • | 25 |
| AZURE-00302XZMUV-1 | — | — | — | — | • | • | • | • | • | 35 |
| AZURE-00503XZMUV-1 | — | — | — | — | • | • | • | • | • | 50 |
| AZURE-00705XZMUV-1 | — | — | — | — | • | • | • | • | • | 75 |



| Model Name | IMX487-AAMJ-C |
|------------------|--|
| Image size | Diagonal 11.1mm (Type 2/3) |
| Effective pixels | 2856 (H) × 2848 (V) Approx. 8.13 megapixels |
| Unit cell size | 2.74μm (H) × 2.74μm (V) |

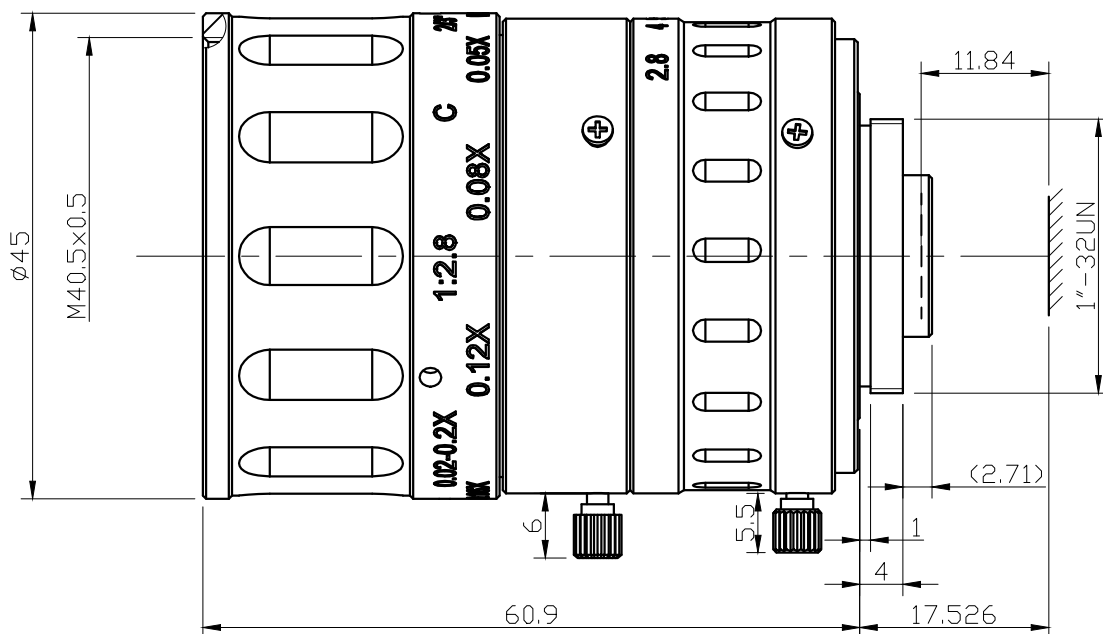
AZURE Photonics Co Limited

Building No.15, Haixi Hi-Tech Park, Wulongjiang Avenue, Shangjie Town, Minhou County, Fuzhou, Fujian 350108, P.R.China.
Tel: +86-591-83850581 Fax: +86-591-83850580 Web Site: www.azurephotonics.com

产品技术规格书 (Product Technical Specification)

| No. | 名称 (Name) | 规格 (Specification) | No. | 名称 (Name) | 规格 (Specification) | |
|-----|-------------------------------|--------------------|-----|---------------------------------|--------------------|-------------------|
| 1 | 型号 (Model) | AZURE-00202XZMUV-1 | 12 | 视场角 F.O.V(DxVxH) | °" 2/3 1/2 1/3 | |
| 2 | 物料代码 (Material Code) | 3. A01. 040019-A | | | D | 21.76 18.18 13.68 |
| 3 | 靶面格式 (Image Format) | 2/3" | | | H | 17.41 14.54 10.94 |
| 4 | 分辨率 (Resolution) | 180 lp/mm | | | V | 13.06 10.91 8.21 |
| 5 | 焦距 (Focal Length) | 25mm | 13 | 接口 (Mount) | C | |
| 6 | 后截距 (Back Focus) | 11.84mm | 14 | 放大倍率 (Magnification) | -0.02X ~ -0.2X | |
| 7 | F值 (F/No.) | 2.8 | 15 | 外形尺寸 (Dimension) | φ45×60.9mm | |
| 8 | 光圈 (Iris Type) | Manual | 16 | 重量 (Weight) | g | |
| 9 | 畸变 (Distortion) | <0.8% | 17 | 工作温度 (Operating Temperature) | -20~+65°C | |
| 10 | 相对照度 (Relative Illuminate) | >80% | 18 | 最大主光线入射角 (CRA) | 12.5° | |
| 11 | 光学总长 (TTL) | 50mm | 19 | 滤镜尺寸 (Filter Thread) | M40.5×0.5 | |

Size:



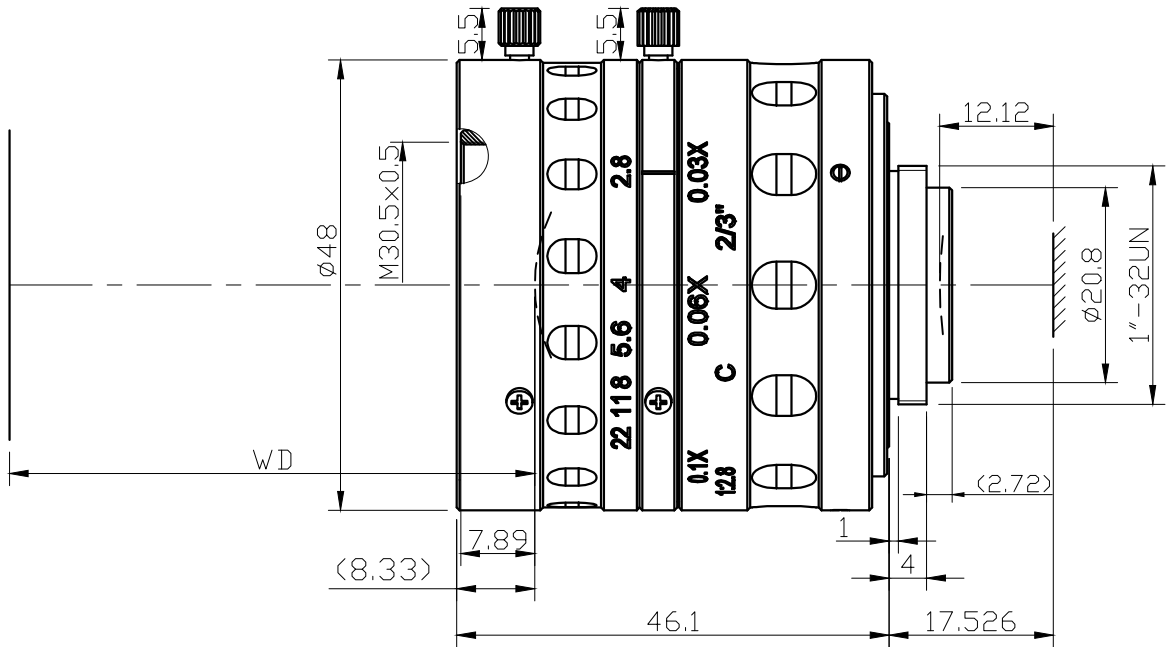
Unit:mm

| Draw | Check | Recheck | Approval | 福建浩蓝光电有限公司 AZURE Photonics Co.,Ltd |
|------|-------|---------|----------|---------------------------------------|
| | | | | |
| | | | | |

产品技术规格书 (Product Technical Specification)

| No. | 名称 (Name) | 规格 (Specification) | No. | 名称 (Name) | 规格 (Specification) | |
|-----|-----------------------------------|--------------------|-----------|------------------------------|----------------------|-------------|
| 1 | 型号 (Model) | AZURE-00302XZMUV-1 | 11 | 视场角 F.O.V(DxVxH) | " 2/3 1/2 1/3 | |
| 2 | 物料代码 (Material Code) | 3. A01. 040018-A | | | D 14.78 13.01 9.79 | |
| 3 | 靶面格式 (Image Format) | 2/3" | | | H 12.62 10.41 7.83 | |
| 4 | 分辨率 (Resolution) | 180 lp/mm | | | V 9.47 7.81 5.87 | |
| 5 | 焦距 (Focal Length) | 35mm | 12 | 接口 (Mount) | C | |
| 6 | 后截距 (Back Focus) | 12.12mm | 13 | 放大倍率 (Magnification) | -0.033X ~ -0.2X | |
| 7 | F值 (F/ No.) | 2.8 | 14 | 外形尺寸 (Dimension) | φ48 × 46.1mm | |
| 8 | 光圈 (Iris Type) | Manual | 15 | 重量 (Weight) | g | |
| 9 | 畸变 (Distortion) | <0.2% | 16 | 工作温度 (Operating Temperature) | -20 ~ +65 °C | |
| 10 | 通光口径 (Lens Effective Diameter) | 前面 (Front) | φ 14.03mm | 17 | 滤镜尺寸 (Filter Thread) | M30.5 × 0.5 |
| | | 后面 (Back) | φ 10.16mm | 18 | 光学总长 (TTL) | 55.3mm |

Size:



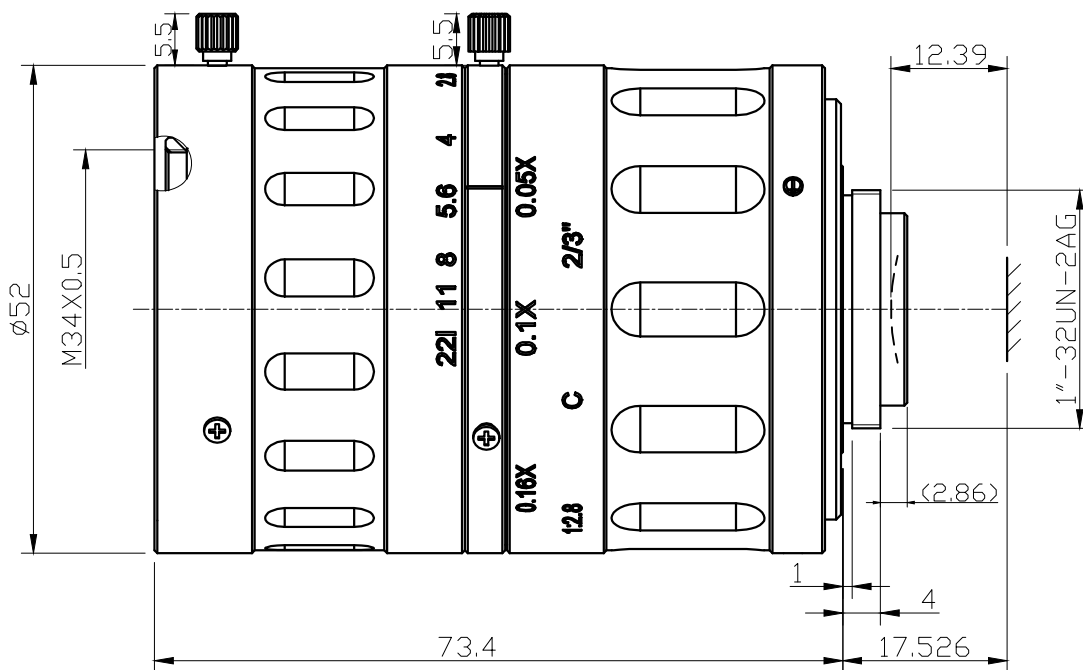
Unit:mm

| Draw | Check | Recheck | Approval | 福建浩蓝光电有限公司 AZURE Photonics Co.,Ltd |
|------|-------|---------|----------|---------------------------------------|
| | | | | |
| | | | | |

产品技术规格书 (Product Technical Specification)

| No. | 名称 (Name) | 规格 (Specification) | No. | 名称 (Name) | 规格 (Specification) | |
|-----|-----------------------------------|--------------------|-----------|---------------------------------|---------------------------|---------|
| 1 | 型号(Model) | AZURE-00503XZMUV-1 | 11 | 视场角 F.O.V(DxVxH) | 2/3" 2/3 1/2 1/3 | |
| 2 | 物料代码(Material Code) | 3. A01. 040021-A | | | D 9.09 7.14 4.96 | |
| 3 | 靶面格式(Image Format) | 2/3" | | | H 7.27 5.71 3.97 | |
| 4 | 分辨率(Resolution) | 180 lp/mm | | | V 5.45 4.28 2.98 | |
| 5 | 焦距(Focal Length) | 50mm | 12 | 接口(Mount) | C | |
| 6 | 后截距(Back Focus) | 12.39mm | 13 | 放大倍率(Magnification) | -0.05X~-0.3X | |
| 7 | F值(F/ No.) | 2.8 | 14 | 外形尺寸(Dimension) | φ 52×73.4mm | |
| 8 | 光圈(Iris Type) | Manual | 15 | 重量(Weight) | g | |
| 9 | 畸变(Distortion) | <0.06% | 16 | 工作温度 (Operating Temperature) | -20~+65℃ | |
| 10 | 通光口径 (Lens Effective Diameter) | 前面(Front) | φ 19.49mm | 17 | 滤镜尺寸 (Filter Thread) | M34×0.5 |
| | | 后面(Back) | φ 10.01mm | 18 | 光学总长(TTL) | 74.8mm |

Size:



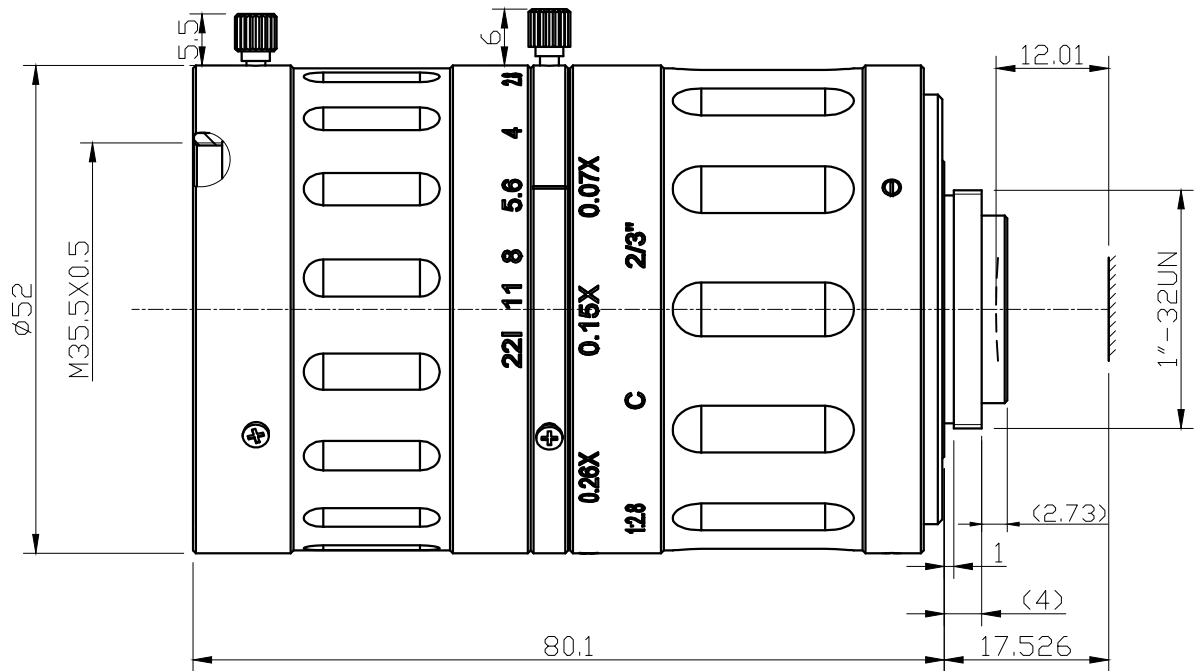
Unit:mm

| Draw | Check | Recheck | Approval | 福建浩蓝光电有限公司 AZURE Photonics Co.,Ltd |
|------|-------|---------|----------|---------------------------------------|
| | | | | |
| | | | | |

产品技术规格书 (Product Technical Specification)

| No. | 名称 (Name) | 规格 (Specification) | No. | 名称 (Name) | 规格 (Specification) | |
|-----|-----------------------------------|--------------------|-----------|------------------------------|-------------------------|------------------|
| 1 | 型号 (Model) | AZURE-00705XZMUV-1 | 11 | 视场角 F.O.V(DxVxH) | " 2/3 1/2 1/3 | |
| 2 | 物料代码 (Material Code) | 3. A01. 040020-A | | | D 7.2 5.9 3.5 | |
| 3 | 靶面格式 (Image Format) | 2/3" | | | H 5.76 4.72 2.8 | |
| 4 | 分辨率 (Resolution) | 180 lp/mm | | | V 4.32 3.54 2.1 | |
| 5 | 焦距 (Focal Length) | 75mm | 12 | 接口 (Mount) | C | |
| 6 | 后截距 (Back Focus) | 12.01mm | 13 | 适用物距 (Suitable Distance) | 200~1100mm | |
| 7 | F值 (F/ No.) | 2.8 | 14 | 外形尺寸 (Dimension) | φ 52×80.1mm | |
| 8 | 光圈 (Iris Type) | Manual | 15 | 重量 (Weight) | g | |
| 9 | 畸变 (Distortion) | <0.82% | 16 | 工作温度 (Operating Temperature) | -20~+65℃ | |
| 10 | 通光口径 (Lens Effective Diameter) | 前面 (Front) | φ 28.00mm | 17 | 滤镜尺寸 (Filter Thread) | M35.5×0.5 |
| | | 后面 (Back) | φ 14.00mm | 18 | 光学总长 (TTL) | 100mm (WD=350mm) |

Size:



Unit:mm

| Draw | Check | Recheck | Approval | 福建浩蓝光电有限公司 AZURE Photonics Co.,Ltd |
|------|-------|---------|----------|---------------------------------------|
| | | | | |
| | | | | |