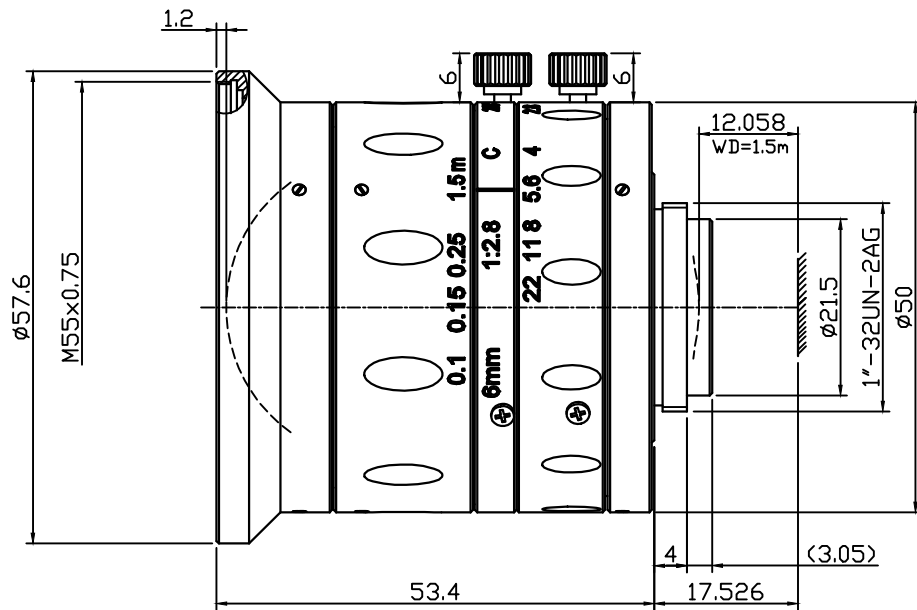


## 产品技术规格书 (Product Technical Specification)

| No. | 名称 (Name)                      | 规格 (Specification) | No.            | 名称 (Name)                    | 规格 (Specification)                      |                         |
|-----|--------------------------------|--------------------|----------------|------------------------------|---|-------------------------|
| 1   | 型号 (Model)                     | AZURE-0628CFN      | 11             | 视场角<br>F.O.V(DxVxH)          | 2/3(1:1) 2/3(5:4) 1/1.8(5:4) 1/1.8(4:3) |                         |
| 2   | 物料代码 (Material Code)           | 3. A01. 010182-A   |                |                              | D                                       | 85.52 85.52 73.3 73.3   |
| 3   | 靶面格式 (Image Format)            | 2/3"               |                |                              | H                                       | 66.12 70.55 58.77 61.66 |
| 4   | 分辨率 (Resolution)               | 250lp/mm           |                |                              | V                                       | 66.12 61.06 50.39 47.8  |
| 5   | 焦距 (Focal Length)              | 6mm                | 12             | 接口 (Mount)                   | C                                       |                         |
| 6   | 后截距 (Back Focus)               | 12.058mm           | 13             | 适用物距 (Suitable Distance)     | 0.1~1.5m                                |                         |
| 7   | F值 (F/No.)                     | 2.8                | 14             | 外形尺寸 (Dimension)             | $\phi 57.6 \times 53.4$ mm              |                         |
| 8   | 光圈 (Iris Type)                 | Manual             | 15             | 重量 (Weight)                  | g                                       |                         |
| 9   | 畸变 (Distortion)                | <-2%               | 16             | 工作温度 (Operating Temperature) | -20~+65°C                               |                         |
| 10  | 通光口径 (Lens Effective Diameter) | 前面 (Front)         | $\phi 30.5$ mm | 17                           | 滤镜尺寸 (Filter Thread)                    | M55×0.75mm              |
|     |                                | 后面 (Back)          | $\phi 14$ mm   | 18                           | 光学总长 (TTL)                              | 69.75mm                 |

Size:



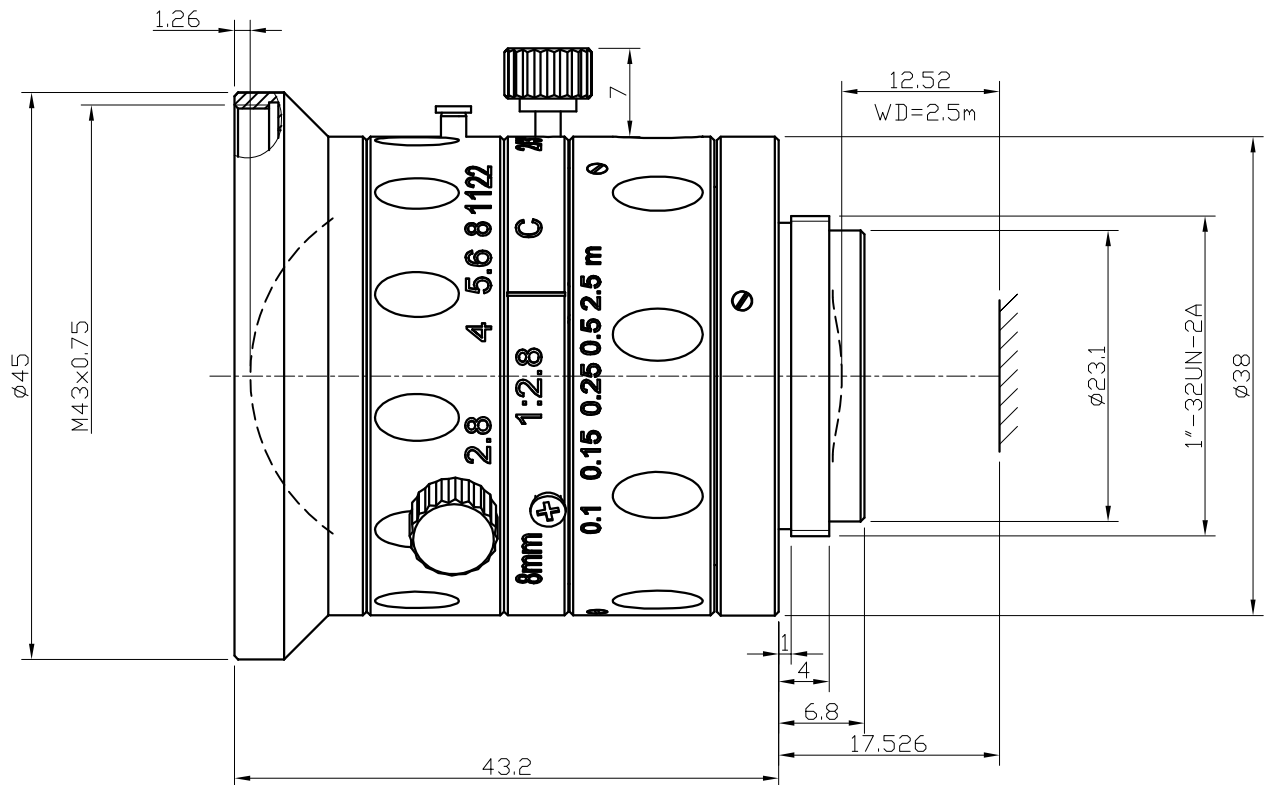
Unit:mm

| Draw | Check | Recheck | Approval | 福建浩蓝光电有限公司<br>AZURE Photonics Co.,Ltd |
|------|-------|---------|----------|---------------------------------------|
|      |       |         |          |                                       |
|      |       |         |          |                                       |

# 产品技术规格书 (Product Technical Specification)

| No. | 名称 (Name)                         | 规格 (Specification) | No.       | 名称 (Name)                       | 规格 (Specification)                      |                         |
|-----|-----------------------------------|--------------------|-----------|---------------------------------|---|-------------------------|
| 1   | 型号(Model)                         | AZURE-0828CF       | 11        | 视场角<br>F.O.V.(DxVxH)            | 2/3(1:1) 2/3(5:4) 1/1.8(5:4) 1/1.8(4:3) |                         |
| 2   | 物料代码(Material Code)               | 3. A01. 010144-A   |           |                                 | D                                       | 68.05 68.05 56.72 56.72 |
| 3   | 靶面格式(Image Format)                | 2/3"               |           |                                 | H                                       | 50.78 54.55 44.67 46.73 |
| 4   | 分辨率 (Resolution)                  | 250 lp/mm          |           |                                 | V                                       | 50.78 46.56 37.88 35.88 |
| 5   | 焦距(Focal Length)                  | 8mm                | 12        | 接口(Mount)                       | C                                       |                         |
| 6   | 后截距(Back Focus)                   | 12.52mm            | 13        | 适用物距<br>(Suitable Distance)     | 0.1~2.5m                                |                         |
| 7   | F值(F/ No.)                        | 2.8                | 14        | 外形尺寸(Dimention)                 | φ45×43.2mm                              |                         |
| 8   | 光圈(Iris Type)                     | Manual             | 15        | 重量(Weight)                      | g                                       |                         |
| 9   | 畸变(Distortion)                    | <-0.98%            | 16        | 工作温度<br>(Operating Temperature) | -20~+65°C                               |                         |
| 10  | 通光口径<br>(Lens Effective Diameter) | 前面(Front)          | φ 23.50mm | 17                              | 滤镜尺寸<br>(Filter Thread)                 | M43×0.75                |
|     |                                   | 后面(Back)           | φ 12.50mm | 18                              | 光学总长(TTL)                               | 59.47mm                 |

Size:



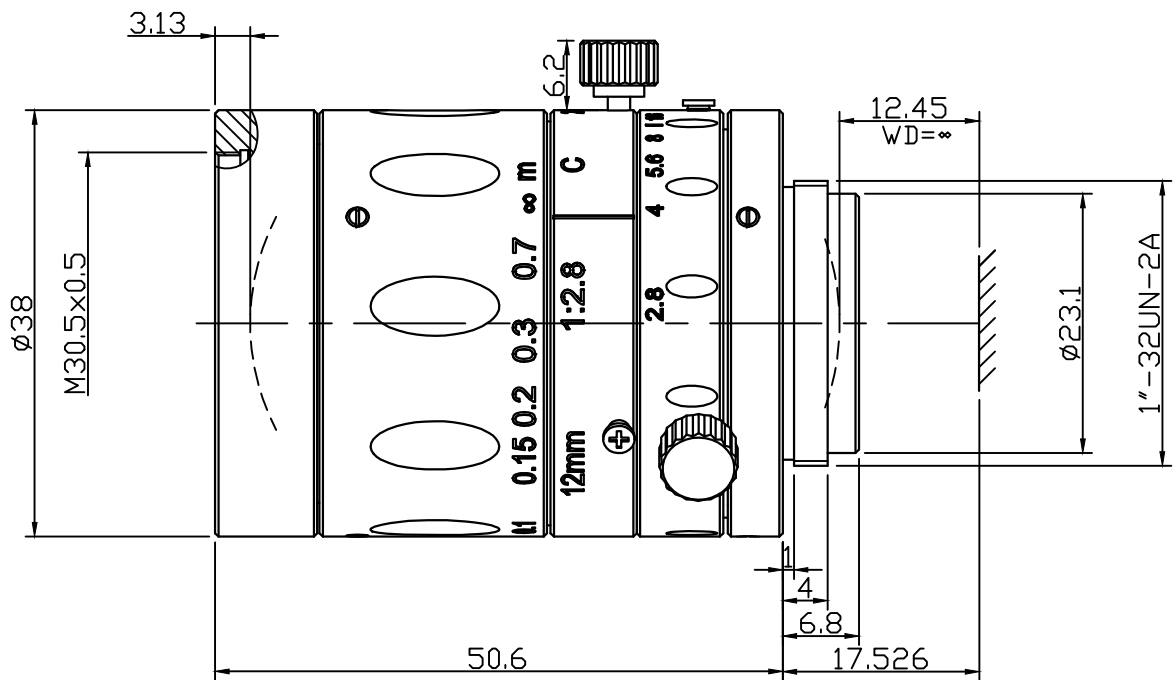
Unit:mm

| Draw | Check | Recheck | Approval | 福建浩蓝光电有限公司<br>AZURE Photonics Co.,Ltd |
|------|-------|---------|----------|---------------------------------------|
|      |       |         |          |                                       |
|      |       |         |          |                                       |

## 产品技术规格书 (Product Technical Specification)

| No. | 名称 (Name)                         | 规格 (Specification) | No.      | 名称 (Name)                    | 规格 (Specification)                          |                         |
|-----|-----------------------------------|--------------------|----------|------------------------------|---|-------------------------|
| 1   | 型号 (Model)                        | AZURE-1228CF       | 11       | 视场角<br>F.O.V(DxVxH)          | 2/3 (1:1) 2/3 (5:4) 1/1.8 (5:4) 1/1.8 (4:3) |                         |
| 2   | 物料代码 (Material Code)              | 3. A01. 010145-B   |          |                              | D   | 51.66 51.66 39.77 39.77 |
| 3   | 靶面格式 (Image Format)               | 2/3"               |          |                              | H   | 36.53 40.34 32.41 33.16 |
| 4   | 分辨率 (Resolution)                  | 250 lp/mm          |          |                              | V   | 36.53 32.27 26.18 25.18 |
| 5   | 焦距 (Focal Length)                 | 12mm               | 12       | 接口 (Mount)                   | C   |                         |
| 6   | 后截距 (Back Focus)                  | 12.45mm            | 13       | 适用物距 (Suitable Distance)     | 0.1 ~ ∞m                                    |                         |
| 7   | F值 (F/No.)                        | 2.8                | 14       | 外形尺寸 (Dimension)             | φ38 × 50.6mm                                |                         |
| 8   | 光圈 (Iris Type)                    | Manual             | 15       | 重量 (Weight)                  | g   |                         |
| 9   | 畸变 (Distortion)                   | < -0.33%           | 16       | 工作温度 (Operating Temperature) | -20 ~ +65°C                                 |                         |
| 10  | 通光口径<br>(Lens Effective Diameter) | 前面 (Front)         | φ17.08mm | 17                           | 滤镜尺寸<br>(Filter Thread)                     | M30.5 × 0.5             |
|     |                                   | 后面 (Back)          | φ13.39mm | 18                           | 光学总长 (TTL)                                  | 65mm                    |

Size:



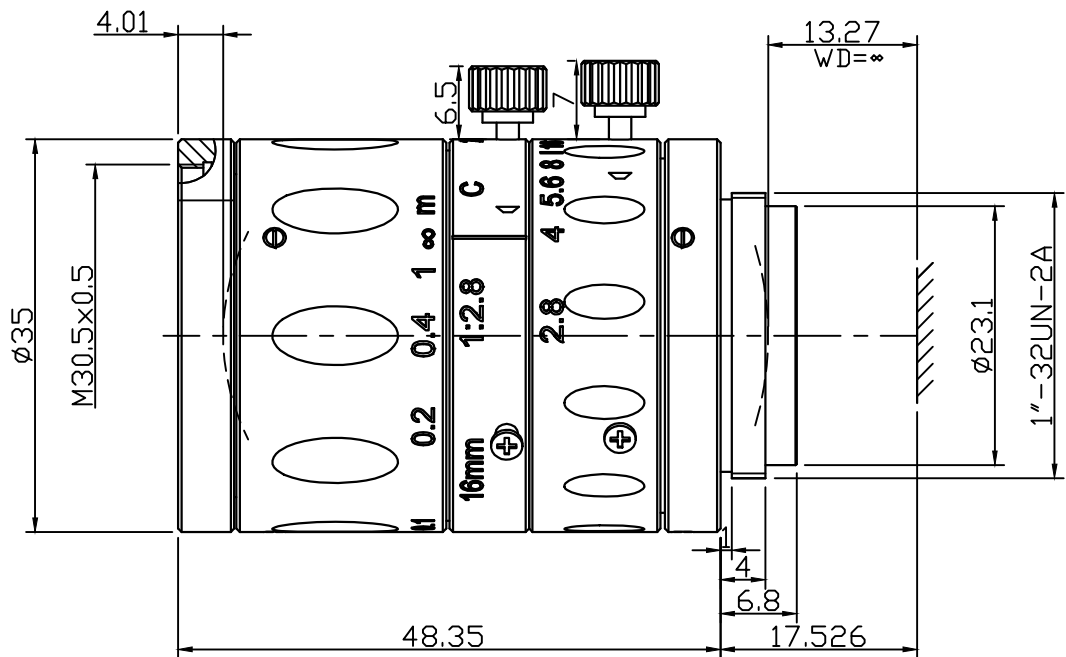
Unit:mm

| Draw | Check | Recheck | Approval | 福建浩蓝光电有限公司<br>AZURE Photonics Co.,Ltd |
|------|-------|---------|----------|---------------------------------------|
|      |       |         |          |                                       |
|      |       |         |          |                                       |

# 产品技术规格书 (Product Technical Specification)

| No. | 名称 (Name)                      | 规格 (Specification) | No.       | 名称 (Name)                    | 规格 (Specification)   |             |             |             |       |
|-----|--------------------------------|--------------------|-----------|------------------------------|----------------------|-------------|-------------|-------------|-------|
| 1   | 型号 (Model)                     | AZURE-1628CF       | 11        | 视场角<br>F.O.V (DxVxH)         | 2/3 (1:1)            | 2/3 (5:4)   | 1/1.8 (5:4) | 1/1.8 (4:3) |       |
| 2   | 物料代码 (Material Code)           | 3. A01. 010146-B   |           |                              | D                    | 40.85       | 40.85       | 30.90       | 30.90 |
| 3   | 靶面格式 (Image Format)            | 2/3"               |           |                              | H                    | 28.89       | 31.90       | 24.13       | 24.72 |
| 4   | 分辨率 (Resolution)               | 250 lp/mm          |           |                              | V                    | 28.89       | 25.52       | 19.30       | 18.54 |
| 5   | 焦距 (Focal Length)              | 16mm               | 12        | 接口 (Mount)                   | C                    |             |             |             |       |
| 6   | 后截距 (Back Focus)               | 13.27mm            | 13        | 适用物距 (Suitable Distance)     | 0.1 ~ ∞m             |             |             |             |       |
| 7   | F值 (F/No.)                     | 2.8                | 14        | 外形尺寸 (Dimension)             | φ 35 × 48.35mm       |             |             |             |       |
| 8   | 光圈 (Iris Type)                 | Manual             | 15        | 重量 (Weight)                  | g                    |             |             |             |       |
| 9   | 畸变 (Distortion)                | < -0.34%           | 16        | 工作温度 (Operating Temperature) | -20 ~ +65°C          |             |             |             |       |
| 10  | 通光口径 (Lens Effective Diameter) | 前面 (Front)         | φ 17.03mm | 17                           | 滤镜尺寸 (Filter Thread) | M30.5 × 0.5 |             |             |       |
|     |                                | 后面 (Back)          | φ 13.87mm | 18                           | 光学总长 (TTL)           | 61.87mm     |             |             |       |

Size:



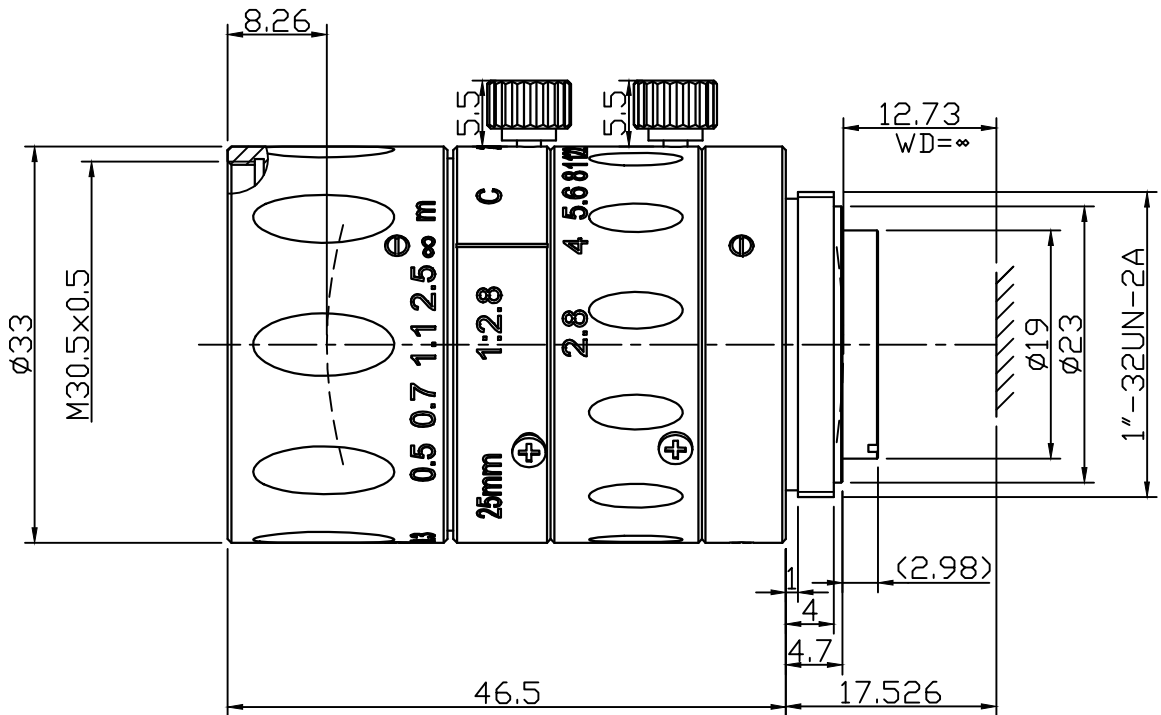
Unit:mm

|      |       |         |          |                                       |
|------|-------|---------|----------|---------------------------------------|
| Draw | Check | Recheck | Approval | 福建浩蓝光电有限公司<br>AZURE Photonics Co.,Ltd |
|      |       |         |          |                                       |
|      |       |         |          |                                       |

# 产品技术规格书 (Product Technical Specification)

| No. | 名称 (Name)                      | 规格 (Specification) | No.       | 名称 (Name)                    | 规格 (Specification)                          |                         |
|-----|--------------------------------|--------------------|-----------|------------------------------|---|-------------------------|
| 1   | 型号 (Model)                     | AZURE-2528CF       | 11        | 视场角<br>F.O.V(DxVxH)          | 2/3 (1:1) 2/3 (5:4) 1/1.8 (5:4) 1/1.8 (4:3) |                         |
| 2   | 物料代码 (Material Code)           | 3. A01. 010147-B   |           |                              | D   | 26.76 26.76 20.02 20.02 |
| 3   | 靶面格式 (Image Format)            | 2/3"               |           |                              | H   | 18.92 20.89 15.63 16.02 |
| 4   | 分辨率 (Resolution)               | 250 lp/mm          |           |                              | V   | 18.92 16.72 12.51 12.01 |
| 5   | 焦距 (Focal Length)              | 25mm               | 12        | 接口 (Mount)                   | C   |                         |
| 6   | 后截距 (Back Focus)               | 12.73mm            | 13        | 适用物距 (Suitable Distance)     | 0.15 ~ ∞m                                   |                         |
| 7   | F值 (F/ No.)                    | 2.8                | 14        | 外形尺寸 (Dimension)             | φ33 × 46.5mm                                |                         |
| 8   | 光圈 (Iris Type)                 | Manual             | 15        | 重量 (Weight)                  | g   |                         |
| 9   | 畸变 (Distortion)                | < -0.46%           | 16        | 工作温度 (Operating Temperature) | -20 ~ +65 °C                                |                         |
| 10  | 通光口径 (Lens Effective Diameter) | 前面 (Front)         | φ 18.82mm | 17                           | 滤镜尺寸 (Filter Thread)                        | M30.5 × 0.5             |
|     |                                | 后面 (Back)          | φ 15.10mm | 18                           | 光学总长 (TTL)                                  | 56.7mm                  |

Size:



Unit:mm

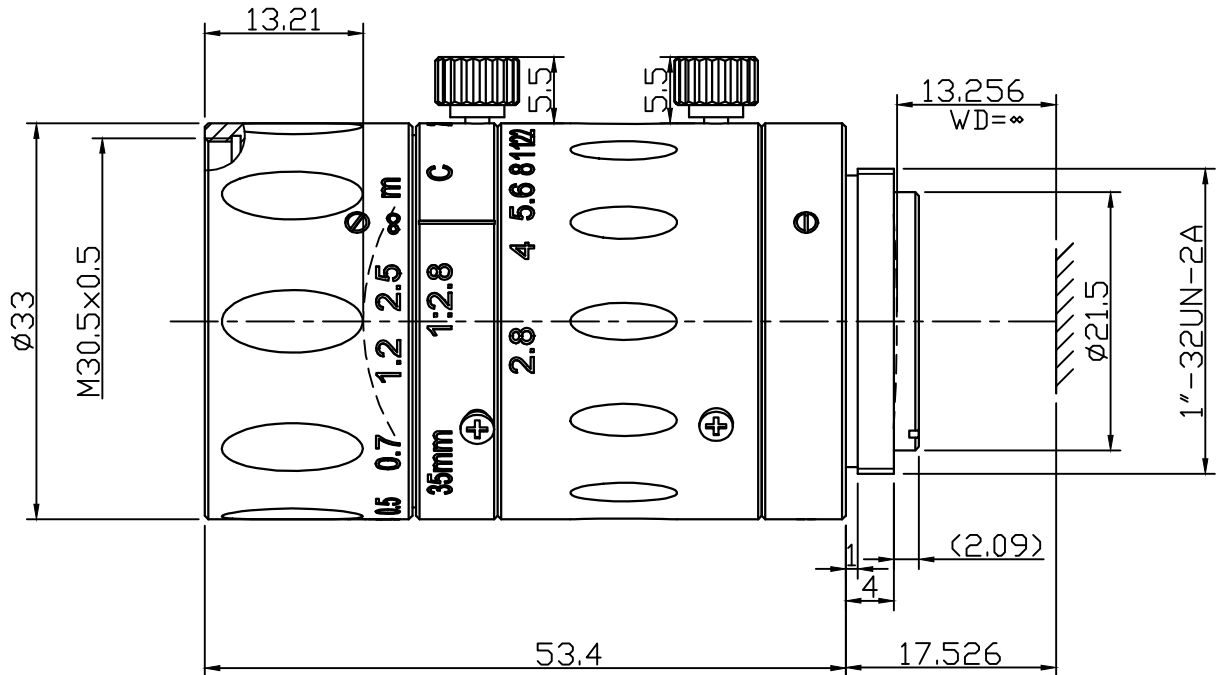
| Draw | Check | Recheck | Approval | 福建浩蓝光电有限公司<br>AZURE Photonics Co.,Ltd |
|------|-------|---------|----------|---------------------------------------|
|      |       |         |          |                                       |
|      |       |         |          |                                       |

# 产品技术规格书

## (Product Technical Specification)

| No. | 名称 (Name)                         | 规格 (Specification) | No.      | 名称 (Name)                    | 规格 (Specification)      |           |            |            |       |
|-----|-----------------------------------|--------------------|----------|------------------------------|-------------------------|-----------|------------|------------|-------|
| 1   | 型号 (Model)                        | AZURE-3528CF       | 11       | 视场角<br>F.O.V(DxVxH)          | 2/3(1:1)                | 2/3(5:4)  | 1/1.8(5:4) | 1/1.8(4:3) |       |
| 2   | 物料代码 (Material Code)              | 3.A01.010148-B     |          |                              | D                       | 19.35     | 19.35      | 14.40      | 14.40 |
| 3   | 靶面格式 (Image Format)               | 2/3"               |          |                              | H                       | 13.68     | 15.11      | 11.24      | 11.52 |
| 4   | 分辨率 (Resolution)                  | 250 lp/mm          |          |                              | V                       | 13.68     | 12.09      | 8.99       | 8.64  |
| 5   | 焦距 (Focal Length)                 | 35mm               | 12       | 接口 (Mount)                   | C                       |           |            |            |       |
| 6   | 后截距 (Back Focus)                  | 13.256mm           | 13       | 适用物距 (Suitable Distance)     | 0.2~∞m                  |           |            |            |       |
| 7   | F值 (F/ No.)                       | 2.8                | 14       | 外形尺寸 (Dimension)             | φ33×53.4mm              |           |            |            |       |
| 8   | 光圈 (Iris Type)                    | Manual             | 15       | 重量 (Weight)                  | g                       |           |            |            |       |
| 9   | 畸变 (Distortion)                   | <-0.37%            | 16       | 工作温度 (Operating Temperature) | -20~+65℃                |           |            |            |       |
| 10  | 通光口径<br>(Lens Effective Diameter) | 前面 (Front)         | φ17.55mm | 17                           | 滤镜尺寸<br>(Filter Thread) | M30.5×0.5 |            |            |       |
|     |                                   | 后面 (Back)          | φ16.75mm | 18                           | 光学总长 (TTL)              | 57.7mm    |            |            |       |

Size:



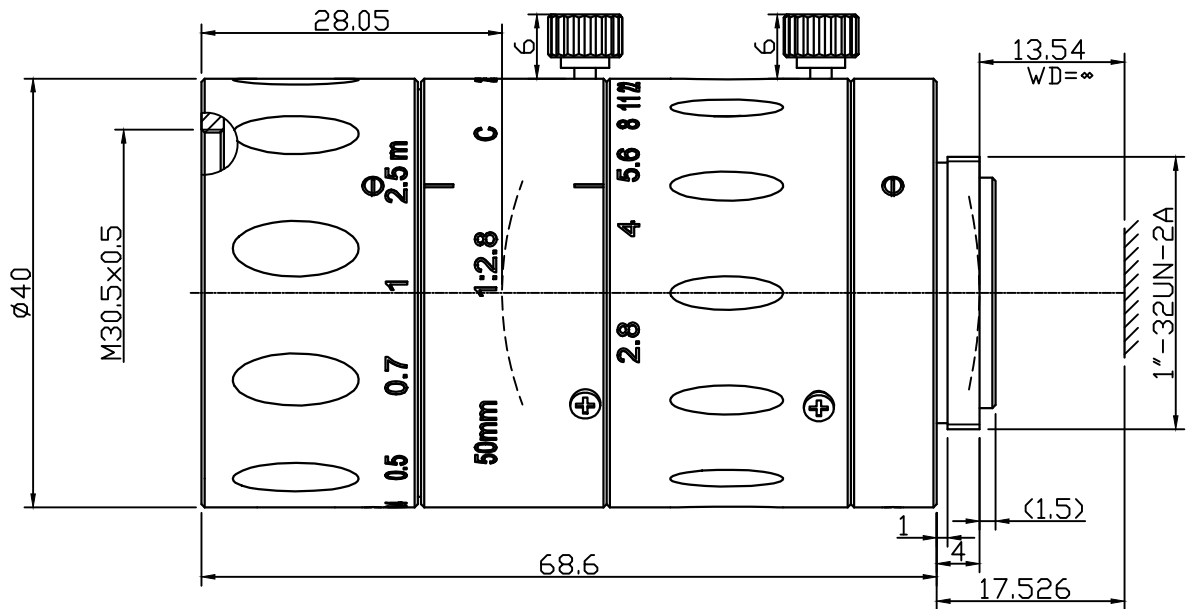
Unit:mm

| Draw | Check | Recheck | Approval | 福建浩蓝光电有限公司<br>AZURE Photonics Co.,Ltd |
|------|-------|---------|----------|---------------------------------------|
|      |       |         |          |                                       |
|      |       |         |          |                                       |

# 产品技术规格书 (Product Technical Specification)

| No. | 名称 (Name)                         | 规格 (Specification) | No.      | 名称 (Name)                    | 规格 (Specification)                      |                         |
|-----|-----------------------------------|--------------------|----------|------------------------------|---|-------------------------|
| 1   | 型号 (Model)                        | AZURE-5028CF       | 11       | 视场角<br>F.O.V(DxVxH)          | 2/3(1:1) 2/3(5:4) 1/1.8(5:4) 1/1.8(4:3) |                         |
| 2   | 物料代码 (Material Code)              | 3. A01. 010149-B   |          |                              | D                                       | 12.55 12.55 10.21 10.21 |
| 3   | 靶面格式 (Image Format)               | 2/3"               |          |                              | H                                       | 8.87 9.80 7.97 8.17     |
| 4   | 分辨率 (Resolution)                  | 250 lp/mm          |          |                              | V                                       | 8.87 7.84 6.38 6.13     |
| 5   | 焦距 (Focal Length)                 | 50mm               | 12       | 接口 (Mount)                   | C                                       |                         |
| 6   | 后截距 (Back Focus)                  | 13.54mm            | 13       | 适用物距 (Suitable Distance)     | 0.25~∞m                                 |                         |
| 7   | F值 (F/ No.)                       | 2.8                | 14       | 外形尺寸 (Dimension)             | Φ40×68.6mm                              |                         |
| 8   | 光圈 (Iris Type)                    | Manual             | 15       | 重量 (Weight)                  | g                                       |                         |
| 9   | 畸变 (Distortion)                   | <-0.34%            | 16       | 工作温度 (Operating Temperature) | -20~+65℃                                |                         |
| 10  | 通光口径<br>(Lens Effective Diameter) | 前面 (Front)         | Φ19.46mm | 17                           | 滤镜尺寸<br>(Filter Thread)                 | M30.5×0.5               |
|     |                                   | 后面 (Back)          | Φ16.53mm | 18                           | 光学总长 (TTL)                              | 58.1mm                  |

Size:



Unit:mm

|      |       |         |          |                                       |
|------|-------|---------|----------|---------------------------------------|
| Draw | Check | Recheck | Approval | 福建浩蓝光电有限公司<br>AZURE Photonics Co.,Ltd |
|      |       |         |          |                                       |
|      |       |         |          |                                       |