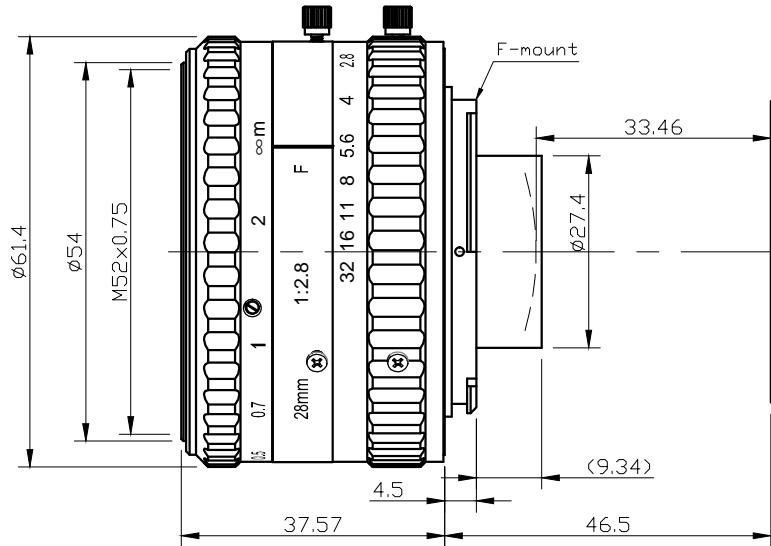


产品技术规格书 (Product Technical Specification)

| No. | 名称 (Name) | 规格 (Specification) | No. | 名称 (Name) | 规格 (Specification) | | | |
|-----|-----------------------------------|---------------------|----------|------------------------------------|---------------------------------|-------------|-------|-------|
| 1 | 型号 (Model) | AZURE-2828MF-1 | 14 | 视场角 F.O.V(DxVxH) | " | 43 | 1 | 2/3 |
| 2 | 物料代码 (Material Code) | 3. A01. 0102828MF-1 | | | D | 73.6 | 31.89 | 22.23 |
| 3 | 靶面格式 (Image Format) | 43mm | | | H | 63.4 | 25.56 | 17.86 |
| 4 | 分辨率 (Resolution) | 10MP | | | V | 44.4 | 19.46 | 13.44 |
| 5 | 焦距 (Focal Length) | 28mm | 15 | 接口 (Mount) | F | | | |
| 6 | 后截距 (Back Focus) | 33.46mm | 16 | 适用物距 (Suitable Distance) | 0.3-∞m | | | |
| 7 | F值 (F/ No.) | 2.8 | 17 | 最佳物距 (Optimum Working Distance) | 1m | | | |
| 8 | 光圈 (Iris Type) | Manual | 18 | 镀膜 (Coating) | 400nm-950nm | | | |
| 9 | 畸变 (Distortion) | <-3.0% | 19 | 外形尺寸 (Dimension) | φ61.4×37.57mm | | | |
| 10 | 通光口径 (Lens Effective Diameter) | 前面 (Front) | φ36.12mm | 20 | 重量 (Weight) | 290g | | |
| | | 后面 (Back) | φ21.40mm | 21 | 工作温度 (Operating Temperature) | -20°C~+65°C | | |
| 11 | 相对照度 (Relative Illuminate) | 40% | 22 | 镜头组成 (Lens Construction) | 7-6 | | | |
| 12 | 光学总长 (TTL) | 80mm | 23 | 最大主光线入射角 (CRA) | 21.17° | | | |
| 13 | 设计波长 (Design Wavelength) | 400~950nm | 24 | 滤镜尺寸 (Filter Thread) | M52×0.75 | | | |

Size:



Unit:mm

| Draw | Check | Recheck | Approval | 福建浩蓝光电有限公司 AZURE Photonics Co.,Ltd |
|------|-------|---------|----------|---------------------------------------|
| | | | | |
| | | | | |