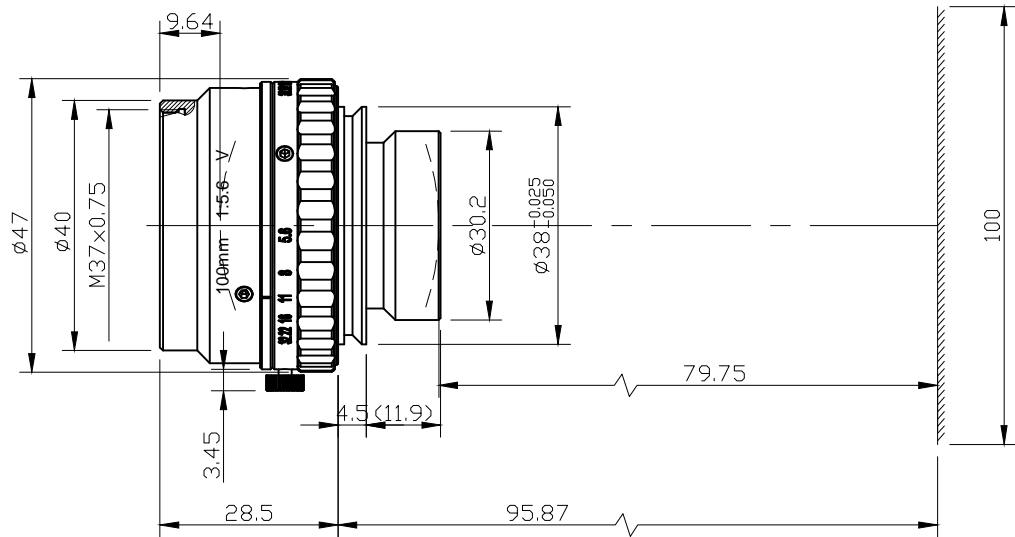


产品技术规格书 (Product Technical Specification)

| No. | 名称 (Name) | 规格 (Specification) | No. | 名称 (Name) | 规格 (Specification) | | |
|-----|-----------------------------------|--------------------|----------|---------------------------------|------------------------------|-----------|---|
| 1 | 型号 (Model) | ELS-100/5.6V | 14 | 视场角(°) F.O.V(DxVxH) | D | H | V |
| 2 | 物料代码 (Material Code) | 3.A01.0110056V-A1 | | | 45.38 | | |
| 3 | 靶面格式 (Image Format) | 100mm | | | | | |
| 4 | 分辨率 (Resolution) | 8K | 15 | 放大倍率 (Magnification) | 0.08X, 0.17X, 0.33X | | |
| 5 | 焦距 (Focal Length) | 100mm | 16 | 适用物距 (Suitable Distance) | 1315~700~393mm | | |
| 6 | 后截距 (Back Focus) | 79.75mm | 17 | 最佳物距 (Optimum Working Distance) | 700mm | | |
| 7 | F值 (F/No.) | 5.6 | 18 | 接口 (Mount) | V | | |
| 8 | 光圈 (Iris Type) | Manual | 19 | 镀膜 (Coating) | 400-1000nm | | |
| 9 | 畸变 (Distortion) | <0.0025% | 20 | 外形尺寸 (Dimension) | φ47×28.5mm | | |
| 10 | 通光口径 (Lens Effective Diameter) | 前面 (Front) | φ25.65mm | 21 | 重量 (Weight) | 106.5g | |
| | | 后面 (Back) | φ24.49mm | 22 | 工作温度 (Operating Temperature) | -20℃~+65℃ | |
| 11 | 相对照度 (Relative Illuminate) | 44.12% | 23 | 镜头组成 (Lens Construction) | 6-5 | | |
| 12 | 光学总长 (TTL) | 132.2mm | 24 | 最大主光线入射角 (CRA) | 23.29° | | |
| 13 | 设计波长 (Design Wavelength) | 400~1000nm | 25 | 滤镜尺寸 (Filter Thread) | M37×0.75 | | |

Size:



Unit:mm

| Draw | Check | Recheck | Approval | 福建浩蓝光电有限公司 AZURE Photonics Co.,Ltd |
|------|-------|---------|----------|---------------------------------------|
| | | | | |
| | | | | |