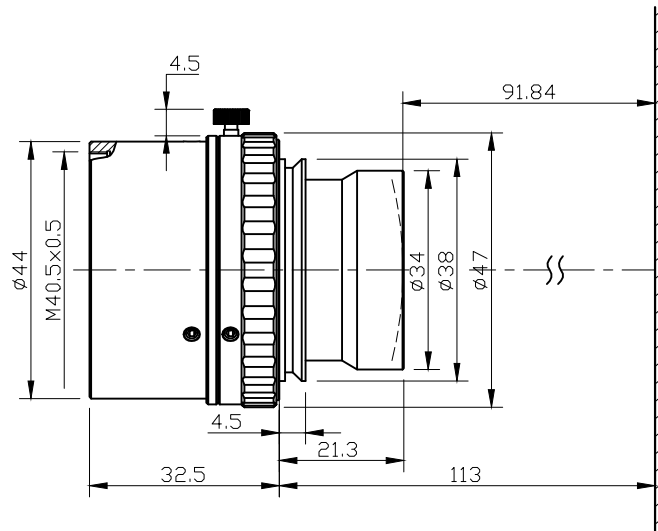


## 产品技术规格书 (Product Technical Specification)

| No. | 名称 (Name)                         | 规格 (Specification) | No.      | 名称 (Name)                          | 规格 (Specification)              |             |   |
|-----|-----------------------------------|--------------------|----------|------------------------------------|---------------------------------|-------------|---|
| 1   | 型号 (Model)                        | ELS-120/5.6V-0.3X  | 14       | 视场角(°)<br>F.O.V(DxVxH)             | D                               | H           | V |
| 2   | 物料代码 (Material Code)              | 3.A01.0112056V1    |          |                                    | 32                              |             |   |
| 3   | 靶面格式 (Image Format)               | 90mm               |          |                                    |                                 |             |   |
| 4   | 分辨率 (Resolution)                  | 60lp/mm            | 15       | 放大倍率 (Magnification)               | 0.26X, 0.32X, 0.38X             |             |   |
| 5   | 焦距 (Focal Length)                 | 120mm              | 16       | 适用物距<br>(Suitable Distance)        | 550~464~405mm                   |             |   |
| 6   | 后截距 (Back Focus)                  | 91.84mm            | 17       | 最佳物距<br>(Optimum Working Distance) | 464mm                           |             |   |
| 7   | F值 (F/No.)                        | 5.6                | 18       | 接口 (Mount)                         | V                               |             |   |
| 8   | 光圈 (Iris Type)                    | Manual             | 19       | 镀膜 (Coating)                       | 400-1000nm                      |             |   |
| 9   | 畸变 (Distortion)                   | <-0.03%            | 20       | 外形尺寸 (Dimension)                   | φ44×32.5mm                      |             |   |
| 10  | 通光口径<br>(Lens Effective Diameter) | 前面 (Front)         | φ29.7mm  | 21                                 | 重量 (Weight)                     | 145g        |   |
|     |                                   | 后面 (Back)          | φ28.66mm | 22                                 | 工作温度<br>(Operating Temperature) | -20°C~+65°C |   |
| 11  | 相对照度<br>(Relative Illuminate)     | 71.4%              | 23       | 镜头组成<br>(Lens Construction)        | 6-4                             |             |   |
| 12  | 光学总长 (TTL)                        | 180.5mm            | 24       | 最大主光线入射角<br>(CRA)                  | 15.93°                          |             |   |
| 13  | 设计波长<br>(Design Wavelength)       | 400~1000nm         | 25       | 滤镜尺寸<br>(Filter Thread)            | M40.5×0.5                       |             |   |

Size:



Unit:mm

| Draw | Check | Recheck | Approval | 福建浩蓝光电有限公司<br>AZURE Photonics Co.,Ltd |
|------|-------|---------|----------|---------------------------------------|
|      |       |         |          |                                       |
|      |       |         |          |                                       |