

GCM-031 Ø6 Series Mini Posts and Holders

GCM-031 Ø6 Series Mini Posts and Holders

Where space is limited the GCM-0311 Mini Posts, GCM-0312 Mini Clamps and GCM-0313 Mini Holders can be used. They can be quickly and conveniently assembled into a height and angle adjustable system. The posts can rotate through 360° Without changing height. The Mini Holders can be mounted on GCM-42 magnetic bases or onto an optical table.

GCM-0311 Mini Posts

Part No.	H	Weight(g)
GCM-031101M	16	4
GCM-031102M	21	5
GCM-031103M	26	6
GCM-031104M	31	7

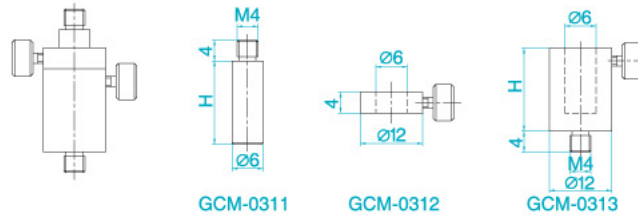
GCM-0312 Mini Clamp

Part No.	Weight(g)
GCM-0312M	2



GCM-0313 Mini Holders

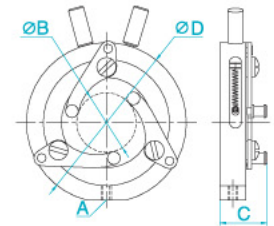
Part No.	H	Weight(g)
GCM-031301M	16	4
GCM-031302M	21	6
GCM-031303M	26	7



GCM-04 Self-Centering Lens Holders

The holders offer a reliable and self-centering mechanism for holding lenses or other round optical components. They are very useful when optics of variable diameters must be interchanged frequently and the height of the optical axis must be kept unchanged. They can be mounted on any post.

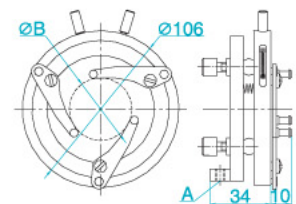
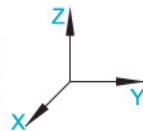
Part No.	A	ØBmin	ØBmax	C	ØD	Weight(g)
GCM-0401M	M4	4	35	18	62	70
GCM-0402M	M4	7	64	20	106	190
GCM-0403M	M6	5	80	52	150	450



GCM-05 Adjustable Self-Centering Lens Holders

These holders not only have the self-centering capability of the GCM-04 lens holders but can also be tilted relative to the X and Z axes through $\pm 4^\circ$.

Part No.	A	ØBmin	ØBmax	Weight(g)
GCM-0501M	M6	7	64	285

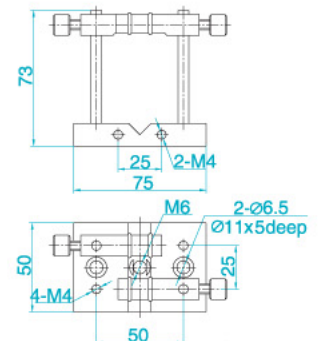


GCM-06 1D Prism Tables

With the GCM-06 Prism Tables one or two optical elements of different size, shape and orientation can be easily mounted. There is also a V-groove for positioning cylindrical or curved objects on the table.

GCM-0601 Prism Tables

Part No.	Weight(g)
GCM-0601M	135



All dimensions are in mm unless otherwise specified.